


junction box

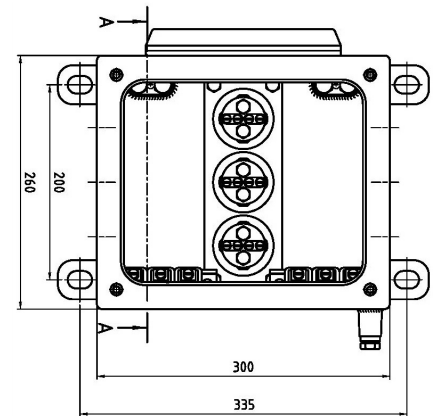
mode of protection  I M2 EEx e I
 II 2G EEx e II T6

type 53139

for connection of 2 cables

EC-Type-Examination-Certificate BVS 03 ATEX E 193

type 53139-1 (ambient temperature -20°C up to 40°C)	
type 53139-2 (ambient temperature -20°C up to 28°C)	
rated voltage	3 connection terminals with bow terminals 1kV AC 6 side terminals 0,5 kV AC
rated current	connection terminals (type 53139-1) up to 198 A connection terminals (type 53139-2) up to 233 A bow terminals (type 53139-1) up to 78 A bow terminals (type 53139-2) up to 92 A side terminals (type 53139-1) up to 24 A side terminals (type 53139-2) up to 28 A
cable cross section	connection terminals 16 - 70 mm ² distribution terminals 1,5 - 16 mm ² auxiliary terminals 1,5 - 6 mm ²
coat of paint	RAL 1004 (yellow)



description

casing and cover of steel sheet 3mm.
internal and external earthings.
3 connection terminals on baseplate.
2 flange holes with diameter 73mm, connection measures for flange glands 65x112mm.
1 additional flange hole with flange plate with 3x M36x1,5 at bottom side.

item number	kgs (weight)
53139.64-1	
53139.64-2	

suitable terminals

- ▶ 55102.1 single-pole
- ▶ 55102.3-1 three-pole on baseplate