




### junction and distribution box

mode of protection  I M2 EEx e I  
 II 2G EEx e II T6 bzw. T4  
 II 2D IP65 T80°C

type 53153.3-3-..

for connection of up to 4 cables

**EC-Type-Examination-Certificate** DMT 01 ATEX E 097 X



rated voltage up to 3 AC 1/3,3 kV

temperature class and rated current depending on the used cross section and the ambient temperature -20°C bis +40°C

type 53153-3,3-.-1 temperature class T6 up to 80/100 A  
 type 53153-3,3-.-3 temperature class T4 up to 150/186 A  
 type 53153-3,3-.-4 temperature class T6 up to -/170 A  
 type 53153-3,3-.-5 temperature class T6 up to -/304 A  
 type 53153-3,3-.-6 temperature class T4 up to -/350 A

temperature class and rated current depending on the used cross section and the ambient temperature -20°C bis +28°C

type 53153-3,3-.-2 temperature class T6 up to 150/180 A

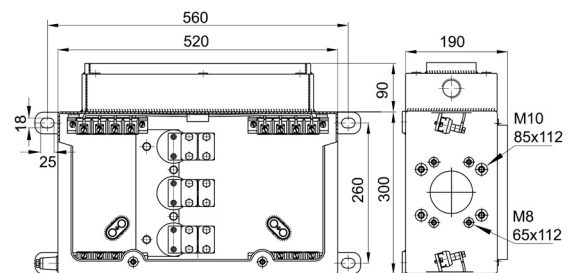
rated cross sections

Typ 5,153-3,3-.-1  
 Typ 5,153-3,3-.-3  
 Typ 5,153-3,3-.-4  
 Typ 5,153-3,3-.-2

25 up to 70 mm<sup>2</sup>

Typ 53153-3,3-.-5  
 Typ 53153-3,3-.-6

25 up to 185 mm<sup>2</sup>



sidebox

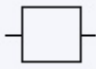
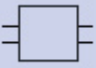
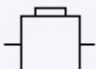
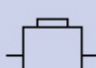
rated voltage up to 500 V AC/DC

rated current up to 4 A

rated connection cross section up to 6 mm<sup>2</sup>

### description

casing an cover of steel sheet 3mm  
 connecting measures for flange cable glands 65x112mm and 85x112mm or for bipartite cable glands 5410-...  
 basis plate with 2x3-pole resp. 1x3-pole main terminal and 4x4 extra terminals 6mm<sup>2</sup> for supervising and control conductors

item number	cable entry scheme	kgs (weight)
53153.3-3-70		28
53153.3-3-4		27
53153.3-3-22 *		30
53153.3-3-22-185		31

\* same execution but additionally with sidebox for optical fibres or supervising and control conductors.